

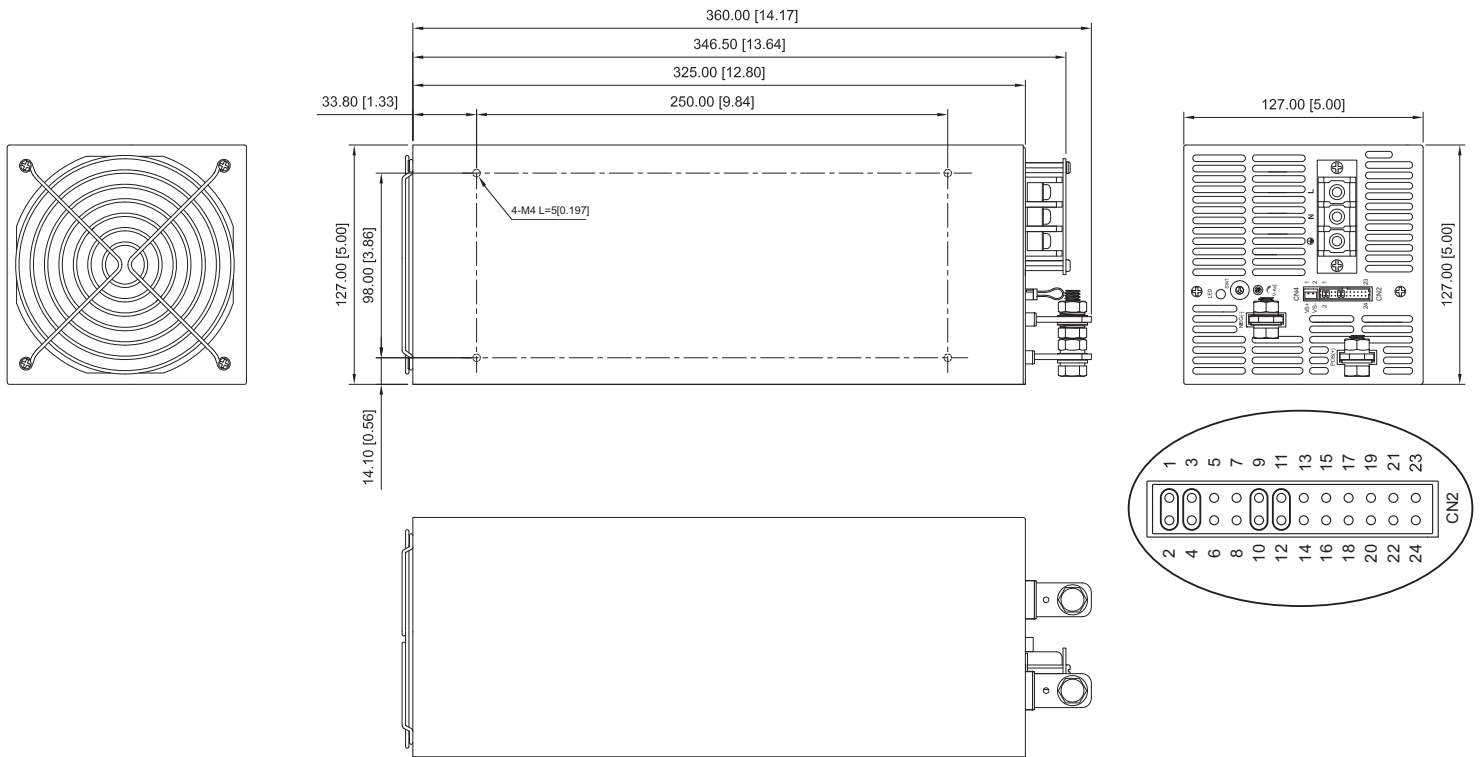
Features:

- Universal AC input / Full range
- Programmable output Voltage (0% ~ 105%)
- Programmable output Current (0% ~ 105%)
- Forced current sharing at parallel operation
- Constant current limit
- Selectable +5V / 0.5A or +9V / 0.3A auxiliary output
- Global control via RS232
- Remote setting multiple PSU via RS232, RS485 & I²C
- Power OK signal
- Remote ON / OFF, Remote sense function
- Protection: OVP, OLP, OTP, SCP, Fan failure
- 3 years warranty



| MODEL | | AE-3000-12 | AE-3000-15 | AE-3000-24 | AE-3000-30 | AE-3000-36 | AE-3000-48 | AE-3000-60 | |
|---------------------|---|---|---|------------|------------|------------|------------|------------|--|
| Output | DC Voltage Range | 12V | 15V | 24V | 30V | 36V | 48V | 60V | |
| | Rated Current | 250A | 200A | 125A | 100A | 83.5A | 62.5A | 50A | |
| | Current Range | 0~250A | 0~200A | 0~125A | 0 ~ 100A | 0 ~ 83.5A | 0 ~ 62.5A | 0 ~ 50A | |
| | Rated Power | 3000W | 3000W | 3000W | 3000W | 3006W | 3000W | 3000W | |
| | Ripple & Noise (Max.) | Note.2 150mVp-p | 150mVp-p | 200mVp-p | 200mVp-p | 200mVp-p | 200mVp-p | 300mVp-p | |
| | Voltage Adj. Range | ±5.0% Typical adjustment by potentiometer. (VR1) | | | | | | | |
| | Voltage Tolerance | Note.3 ±2.0% | | | | | | | |
| | Line Regulation | ±1.0% | | | | | | | |
| | Load Regulation | ±1.0% | | | | | | | |
| | Setup, Rise Time | 800ms, 50ms at full load | | | | | | | |
| Hold Up Time (Typ.) | 14ms / 230VAC at full load | | | | | | | | |
| Input | Voltage Range | Note.4 90 ~ 264VAC, 127 ~ 370VDC | | | | | | | |
| | Frequency Range | 47 ~ 63Hz (Refer to de-rating curve) | | | | | | | |
| | Power Factor (Typ.) | 0.95 / 230VAC, 0.98 / 115VAC at full load | | | | | | | |
| | Efficiency (Typ.) | 89% | 90% | 91% | 91% | 92% | 92% | 93% | |
| | AC Current (Typ.) | 36A / 115VAC (3000W), 18A / 230VAC (3000W) | | | | | | | |
| | Inrush Current (Typ.) | 60A / 115VAC, 90A / 230VAC | | | | | | | |
| | Leakage Current | < 2.5mA / 240VAC | | | | | | | |
| Protection | Over Load | 105% rated output power Protection type: Constant current limit | | | | | | | |
| | Over Voltage | Variable OVP, 120 ± 7% Vout. Refer to VCI VS OVP curve. Protection type: Latch-style (Recovery after reset AC power ON or inhibit) | | | | | | | |
| | Over Temperature | 85 ±5°C detect on heat sink of primary and secondary side Protection type: Auto recovery after temperature goes down | | | | | | | |
| Function | Auxiliary Power | Selectable +5V / 0.5A or +9V / 0.3A auxiliary output | | | | | | | |
| | Remote ON / OFF Control | By external switch | | | | | | | |
| | Power OK Signal | Open drain signal low when PSU turns on, Max. sink current: 20mA, Max. drain voltage: 40V. | | | | | | | |
| | Output Voltage Trim | Adjustment of output voltage is between 0 ~ 105% of rated output | | | | | | | |
| | Output Current Trim | Adjustment of output current is between 0 ~ 105% of rated output | | | | | | | |
| | Parallel (Current Sharing) | Note.5 | Please refer to page 5 | | | | | | |
| Environment | Working Temp. | -25 ~ +60°C (Refer to de-rating curve) | | | | | | | |
| | Working Humidity | 20 ~ 90% RH non-condensing | | | | | | | |
| | Storage Temp. & Humidity | -40 ~ +85°C, 10 ~ 95% RH | | | | | | | |
| | Temp. Coefficient | ±0.02% / °C (0 ~ 50°C) | | | | | | | |
| | Vibration | 10 ~ 500Hz, 2G 10min. / 1cycle, period for 60min. each along X, Y, Z axes Compliance to IEC 68-2-6, IEC 68-2-64 | | | | | | | |
| Safety & EMC | Safety Standards | Certified UL 60950-1; EN 60950-1 | | | | | | | |
| | Withstand Voltage | Note.7 | I/P-O/P: 3KVAC (4242VDC), I/P-FG: 1.5KVAC (2121VDC), O/P-FG: 0.5KVAC (707VDC) | | | | | | |
| | Isolation Resistance | I/P-O/P, I/P-FG, O/P-FG: 100M Ohms / 500VDC | | | | | | | |
| | EMI Conduction & Radiation | Certified EN 55022; EN 61204-3; EN 61000-6-3 | | | | | | | |
| | Harmonic Current | Certified EN 61000-3-2; EN 61000-3-3 | | | | | | | |
| | EMS Immunity | Certified EN 55024; EN 61204-3; EN 61000-6-1; IEC 61000-4-2, 3, 4, 5, 6, 8, 11 | | | | | | | |
| Others | Cooling | Load and temperature control fan | | | | | | | |
| | Dimension (WxHxD) | 366x127x127mm | | | | | | | |
| | Packing | 5.25kg; 4pcs / 21kg / 1.86CUFT | | | | | | | |
| Note | <ol style="list-style-type: none"> 1. All parameters NOT specially mentioned are measured at 230VAC input, rated load and 25°C of ambient temperature. 2. Ripple & noise are measured at 20MHz of bandwidth by using a 12" twisted pair-wire terminated with a 0.1uF & 47uF parallel capacitor. 3. Tolerance: includes setup time tolerance, line regulation and load regulation. 4. De-rating may apply in low input voltage. Please check the de-rating curve for more details. 5. In parallel connection only one unit will operate if the total output load is less than 5% of the rated power. 6. The power supply is considered a component which will be installed into a final equipment. The final equipment must be re-confirmed that it still meets EMC directives. 7. This test is done without enclosure. | | | | | | | | |

Mechanical Drawings:



AC Input Terminal Pin No. Assignment

| Pin No. | Assignment |
|---------|------------|
| 1 | L |
| 2 | N |
| 3 | ⏏ |

| CN4 | 1 | VS+ |
|-----|---|-----|
| | 2 | VS- |

CN2 Function Description:

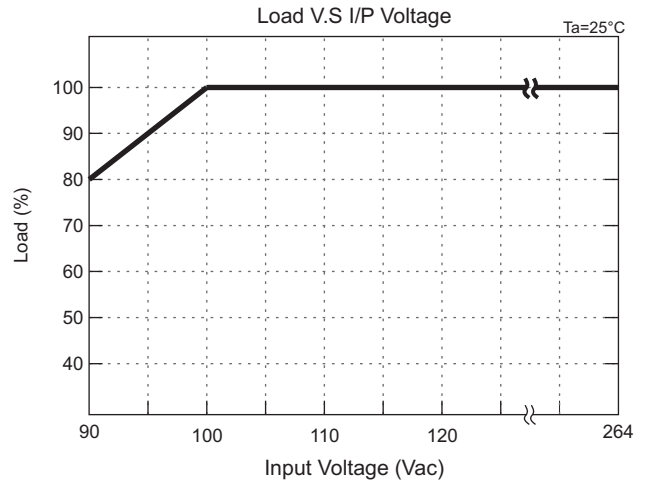
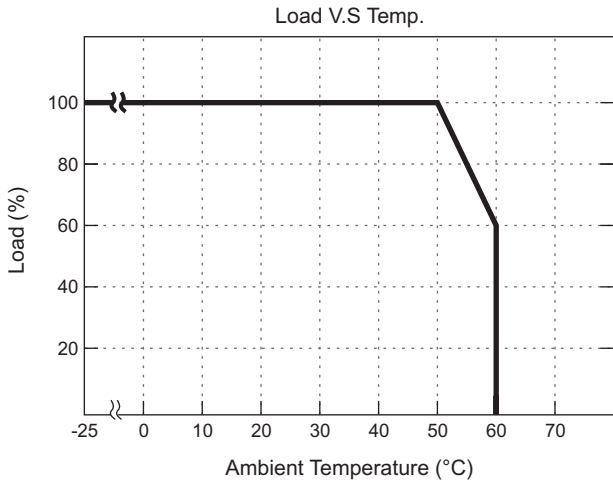
| Pin No. | Function | Description | Pin No. | Function | Description | Mating Housing / Contact | |
|---------|----------|--|---------|----------|---|--------------------------------|-------------------------------------|
| 1 | VS+ | Remote sense (+) | 13 | ACI | I Program | JST PHDR-24VS or equivalent | JST SPHD-002T-P0.5 or equivalent |
| 2 | VO+ | Positive output voltage | 14 | GND | Ground | | |
| 3 | VS- | Remote sense (-) | 15 | VCI | V Program | | |
| 4 | VO- | Negative output voltage | 16 | GND | Ground | | |
| 5 | POK | Power OK | 17 | AUX | +5V / 0.5A or +9V / 0.3A Auxiliary power | | |
| 6 | GND | Ground | 18 | GND | Ground | | |
| 7 | PAR | Parallel operation current share | 19 | SCL | Serial Clock used in the I ² C interface | | |
| 8 | VSET | Aux output setting | 20 | SDA | Serial Data used in the I ² C interface | | |
| 9 | EN- | Inhibit ON/OFF (-) | 21 | AUX | +5V / 0.5A or +9V / 0.3A Auxiliary power | | |
| 10 | GND | Ground | 22 | GND | Ground | | |
| 11 | EN+ | Inhibit ON/OFF (+) | 23 | NC. | For RS232 Transmission function | | |
| 12 | AUX | +5V / 0.5A or +9V / 0.3A Auxiliary power | 24 | NC. | For RS232 Receiver function | | |

LED Status:

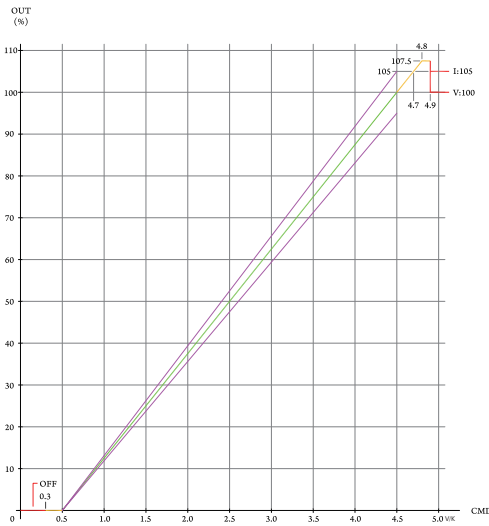
| LED | LED Signal | Status |
|-------------------------|------------|-------------------------------------|
| Solid(Green) | | Power OK (Local mode) |
| Solid(Orange) | | Power OK (Remote mode) |
| Slow Blink(Green) | | Power Standby |
| Fast Blink(Red) | | Over Voltage Protection (OVP) |
| Solid(Red) | | Over Load Protection (OLP) |
| Slow Blink(Red) | | Over Temperature Protection (OTP) |
| Intermittent Blink(Red) | | Fan Failure |
| Interface Blink(Red) | | Power Failure |

*Local mode : Use ACI/VCI control output current and voltage.
Remote mode : Use RS-232 or I²C command control output current and voltage.

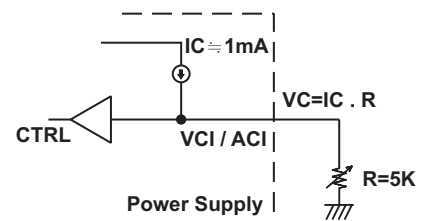
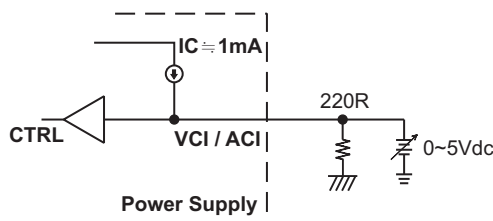
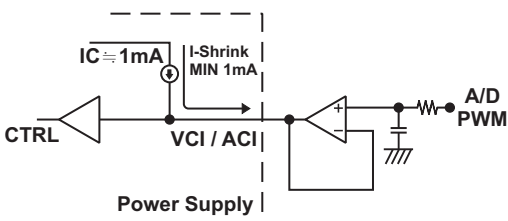
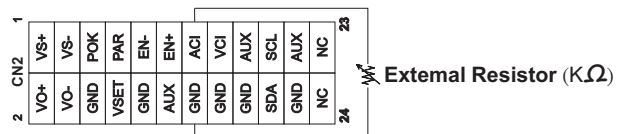
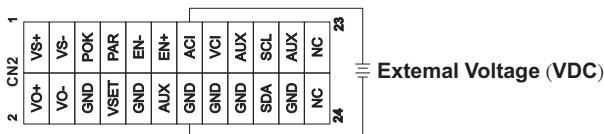
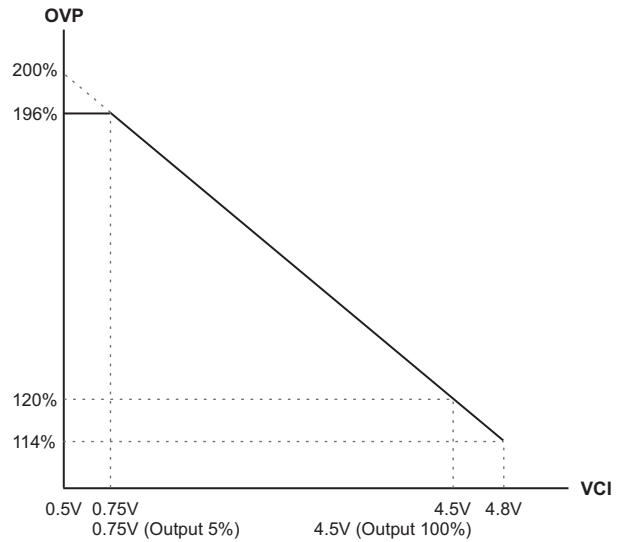
De-rating Curve:



CMD VS Output Curve:

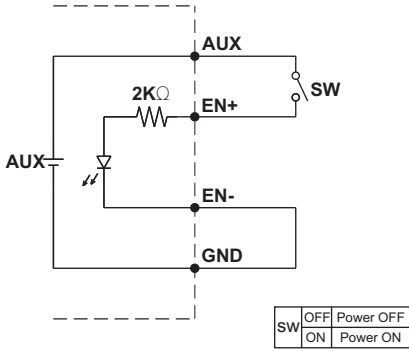


VCI VS OVP Curve:



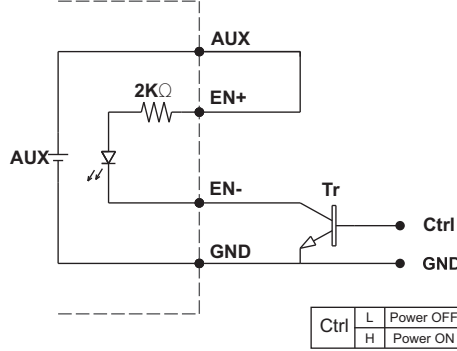
Remote ON/OFF:

(A) Default Setting



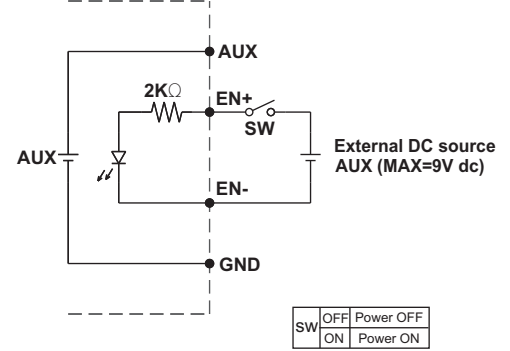
(A) Using internal 5V auxiliary source

(B)



(B) ON / OFF Control by NPN transistor

(C)



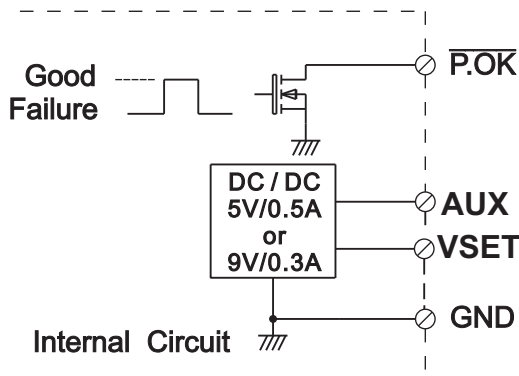
(C) Using external voltage source

Power OK Signal:

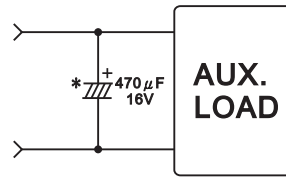
*The grounding of "AUX" power should be connected to "GND" port. If "V-" is connected as Grounding, make sure to short the GND and V- ports.

*Place an additional capacitor to have a better performance of auxiliary power operation.

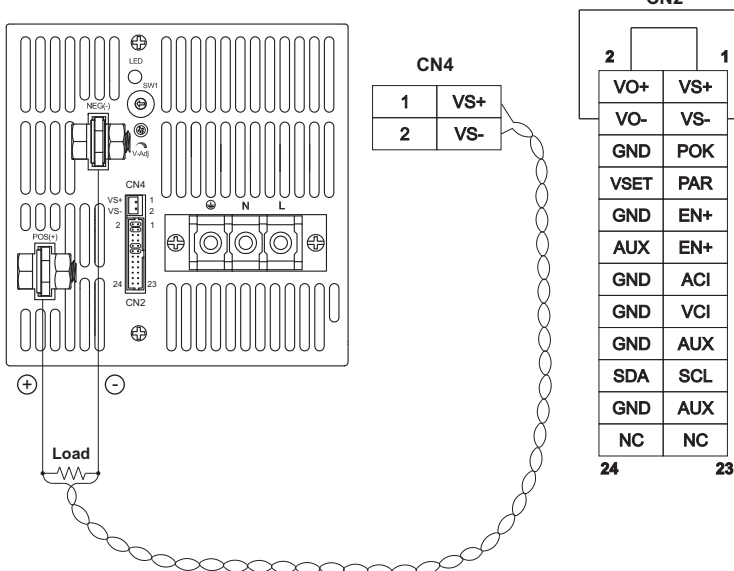
| | | |
|------|-----------------------|----|
| VSET | Open(Default Setting) | 5V |
| | Short To GND | 9V |



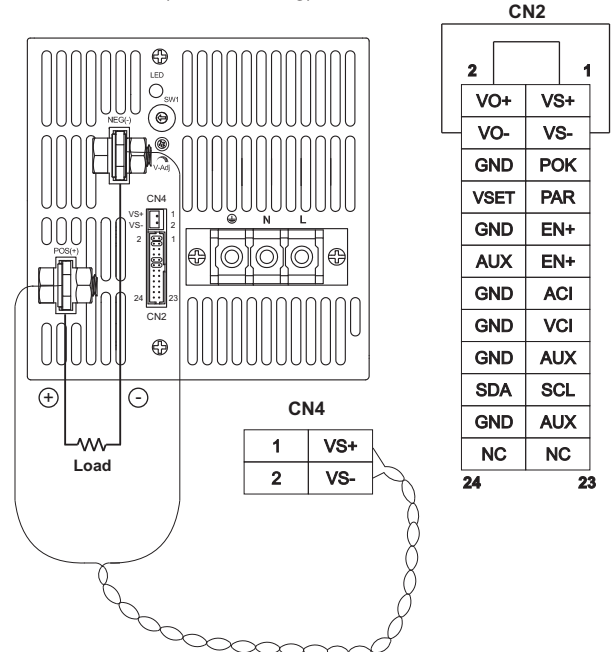
AUX and P.OK Signal



1. Remote Sense

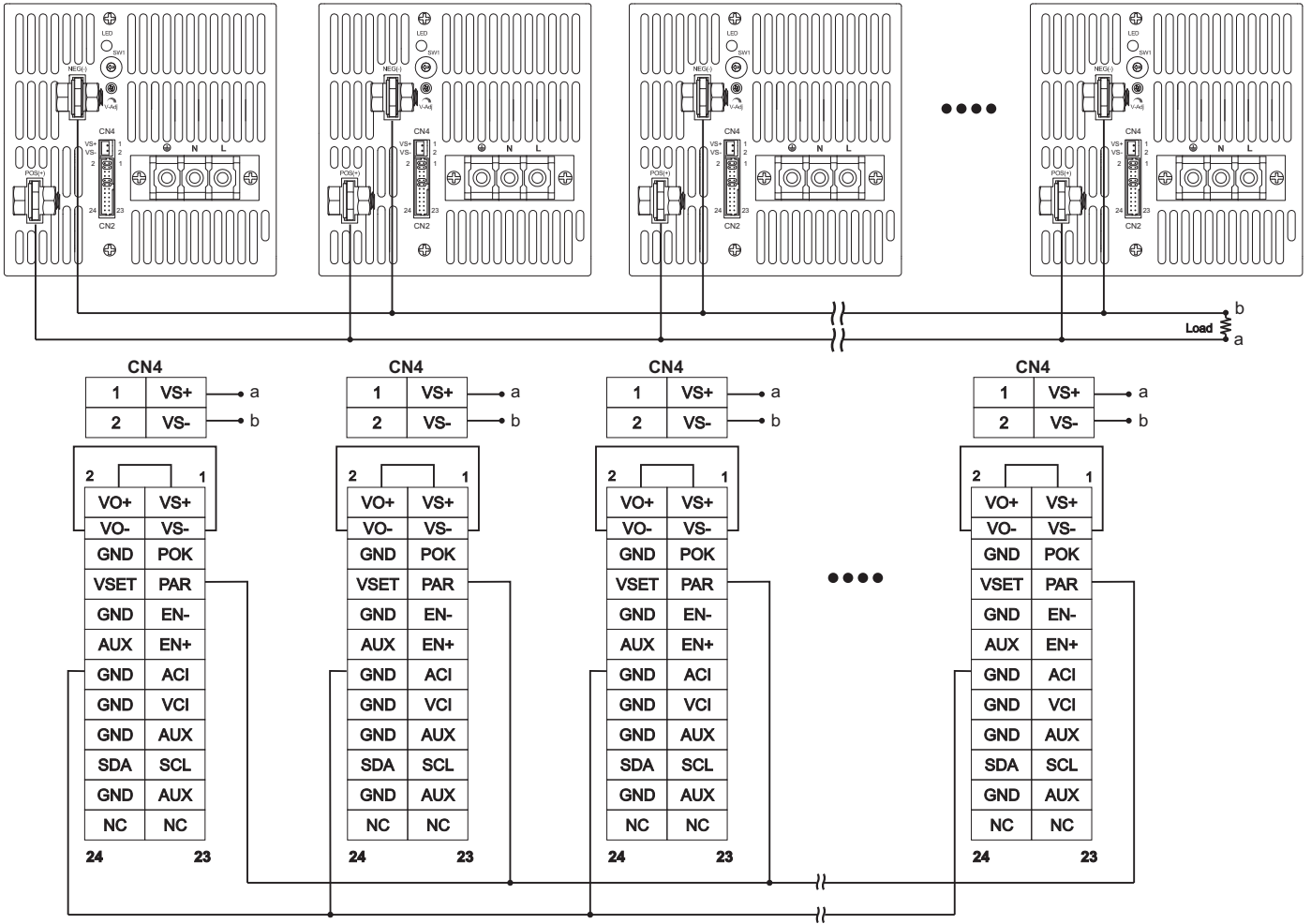


2. Local Sense (Default setting)

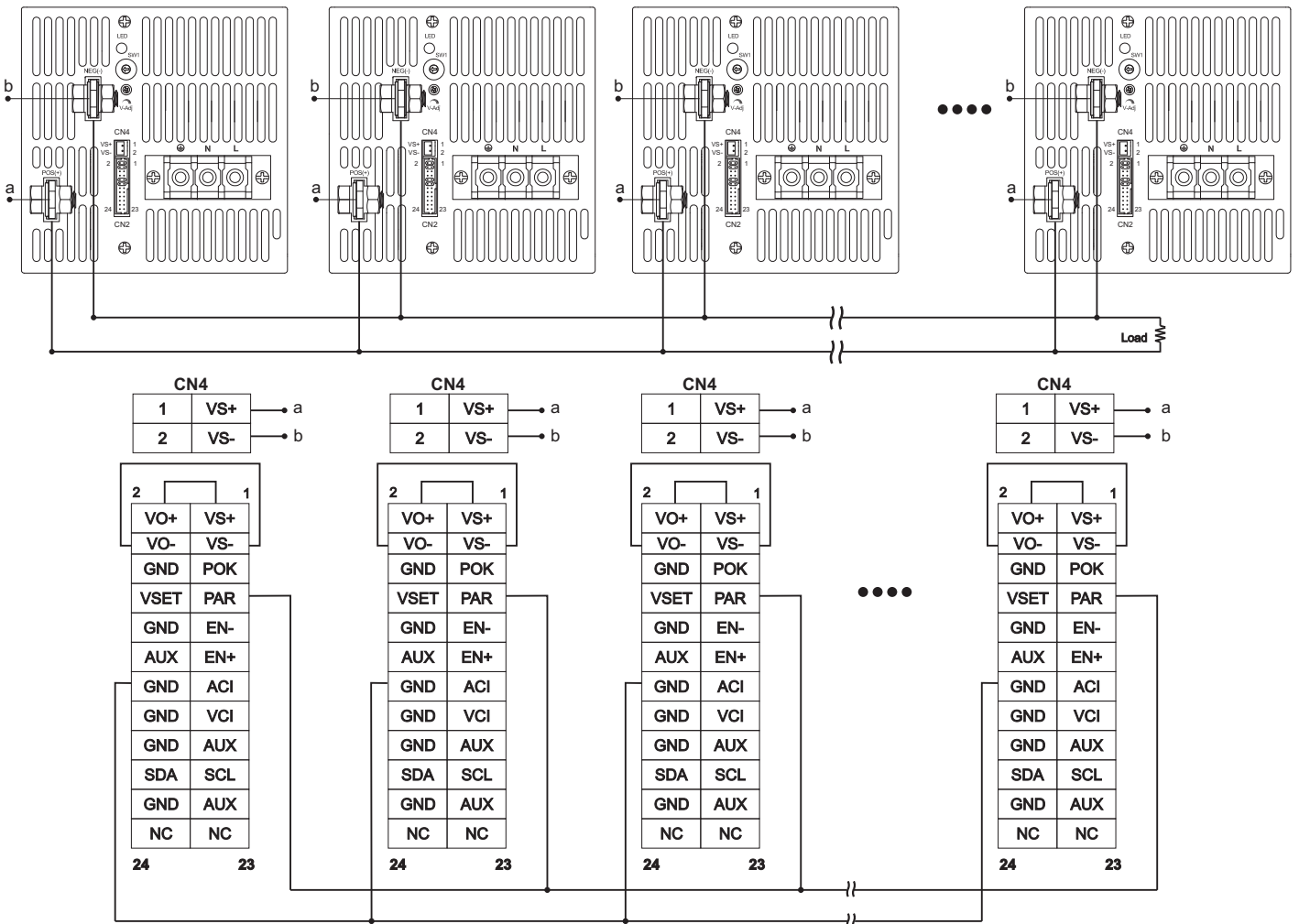


VS-,VS+ Compensation Voltage < 0.5V

3. Current Sharing with Remote Sensing(Parallel Connection)



4. Current Sharing with Local Sensing

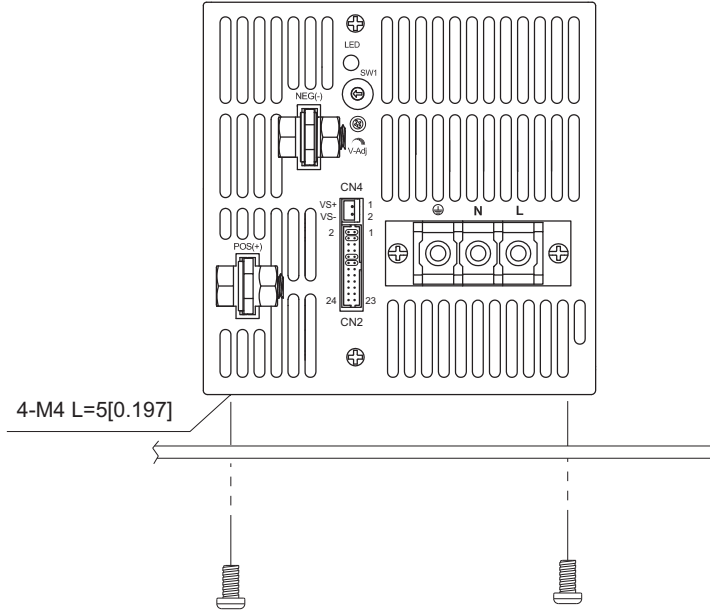


Installation Instruction:

1. Mounting Directions

1-1 Recommended standard mounting methods:

(a)



2. Mounting Method

2-1 There are ventilating holes on the front and back side panels, do not obstruct; allow 50mm at least for air flow.

2-2 Recommended the torque of mounting screw:
M4 screw: 1.27N · m (13.0kgf · cm)

